

VQ

Luminaire for mounting into all types of ceilings M600 and M625 and for mounting into plasterboards. Luminaires for module M625 and luminaires for plasterboard need to be specified in order. Luminaire is equipped with electronics and diodes from renowned manufacturers.



Ordering code:: VML 140 VQ DALI



ELECTRICAL FEATURES

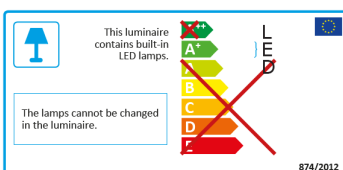
Wattage	40 W
Supply voltage	198 - 264 VAC / 190 - 280 VDC
Power factor	0.98
Total harmonic distortion	<10
IEC Protection Class	I
Energy class	A+
Dimming	DALI
Qty. per MCB C 16A	53 pcs
LED driver lifespan	100 000 hod. @ $t_c=65^\circ$

OPTICAL FEATURES

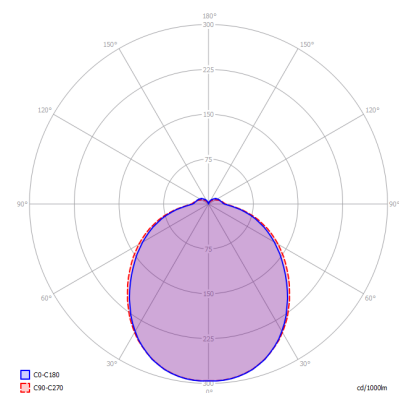
Lamp luminous flux	4460 lm
Luminous efficiency	112 lm/W
Color temperature	3K / 4K / 5K
Color rendering index	80+
Chromaticity tolerance	3 step MacAdam
Viewing angle	-
Unified glare rating	20.8/21.2
Luminance @65° < 3000 cd/m ²	yes
LED lifespan	$L_{80} / B_{10} = 75\ 000$ hod. @ 65°C

MECHANICAL FEATURES

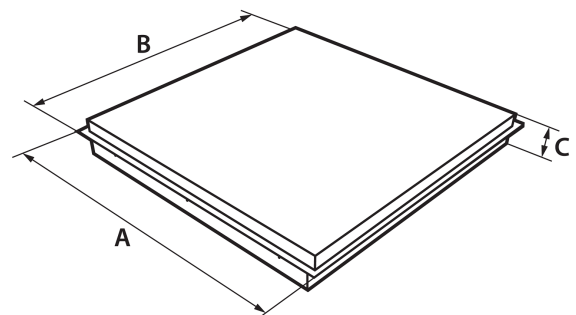
Dimensions	570 x 570 x 45 mm
Weight	3.5 kg
Operating temperature	- 25 ~ + 25 °C
Protection class	IP 40
Body material	lakovaný Fe plech
Reflector material	-
Diffuser material	PMMA
Mounting method	recessed



POLAR DIAGRAM



DIMENSIONS



ON REQUEST

- CCT 2700K, 3500K, 5700K, 6500K
- CRI > 90Ra
- Customized power
- Customized cable
- Connectors Gesis GST, RST
- Kit for plasterboard
- Suspension rope kit
- Emergency source 1 hr/3 hrs

Tolerance of data $\pm 7.5\%$

Rights to make printing errors, changes in design and lighting specifications are reserved.

VM elektro s.r.o.
č.p. 241
763 01 Machová

vm elektro®

tel: +420 577 102 293-4
tel: +420 573 034 581-2
e-mail: info@vmelektro.cz