

# VT2



Ordering code:: VML 130 VT2 DALI



## ELECTRICAL FEATURES

Wattage	30 W
Supply voltage	198 - 264 VAC / 190 - 280 VDC
Power factor	0.98
Total harmonic distortion	<15
IEC Protection Class	I
Energy class	A+
Dimming	DALI
Qty. per MCB C 16A	53 pcs
LED driver lifespan	100 000 hod. @ t <sub>c</sub> =65°

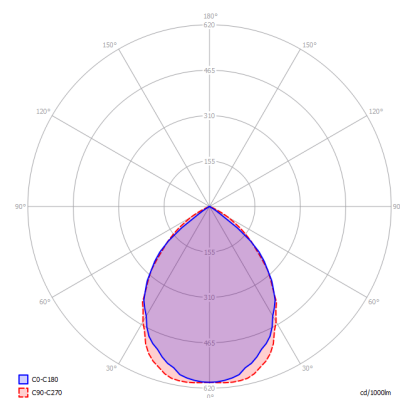
## OPTICAL FEATURES

Lamp luminous flux	3340 lm
Luminous efficiency	111 lm/W
Color temperature	3K / 4K / 5K
Color rendering index	80+
Chromaticity tolerance	3 step MacAdam
Viewing angle	-
Unified glare rating	-
Luminance @65° < 3000 cd/m <sup>2</sup>	yes
LED lifespan	L <sub>80</sub> / B <sub>10</sub> = 75 000 hod. @ 65°C

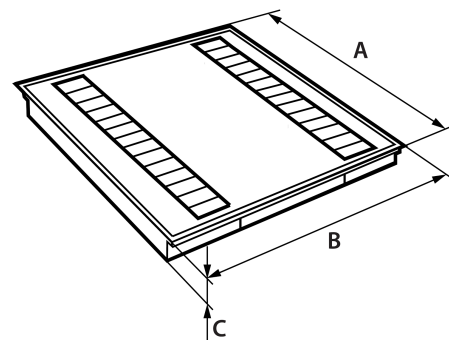
## MECHANICAL FEATURES

Dimensions	595 x 595 x 65 mm
Weight	4.5 kg
Operating temperature	- 25 ~ + 25 °C
Protection class	IP 40
Body material	lakovaný Fe plech
Reflector material	Al
Diffuser material	PMMA
Mounting method	recessed

## POLAR DIAGRAM



## DIMENSIONS



## ON REQUEST

- CCT 2700K, 3500K, 5700K, 6500K
- CRI > 90Ra
- Customized power
- Customized cable
- Connectors Gesis GST, RST
- Kit for plasterboard
- Customized RAL color
- Emergency source 1 hr/3 hrs

Tolerance of data ± 7.5%

Rights to make printing errors, changes in design and lighting specifications are reserved.

VM elektro s.r.o.  
č.p. 241  
763 01 Machová

**vm** elektro®

tel: +420 577 102 293-4  
tel: +420 573 034 581-2  
e-mail: info@vmelektro.cz