

# VT2



Ordering code:: VML 350 VT2



## ELECTRICAL FEATURES

|                           |                                    |
|---------------------------|------------------------------------|
| Wattage                   | 50 W                               |
| Supply voltage            | 198 - 264 VAC / 190 - 280 VDC      |
| Power factor              | 0.98                               |
| Total harmonic distortion | <15                                |
| IEC Protection Class      | I                                  |
| Energy class              | A+                                 |
| Dimming                   | -                                  |
| Qty. per MCB C 16A        | 30 pcs                             |
| LED driver lifespan       | 100 000 hod. @ t <sub>c</sub> =65° |

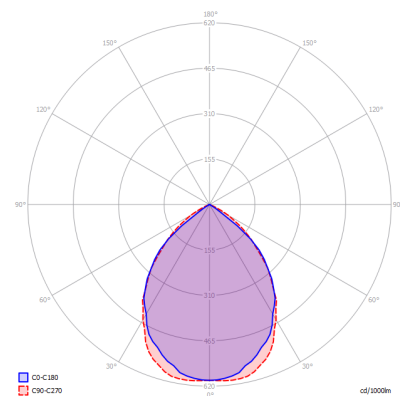
## OPTICAL FEATURES

|   |  |
|---|--|
| Lamp luminous flux                      | 5850 lm  |
| Luminous efficiency                     | 117 lm/W   |
| Color temperature                       | 3K / 4K / 5K   |
| Color rendering index                   | 80+  |
| Chromaticity tolerance                  | 3 step MacAdam   |
| Viewing angle                           | -  |
| Unified glare rating                    | -  |
| Luminance @65° < 3000 cd/m <sup>2</sup> | yes  |
| LED lifespan                            | L <sub>80</sub> / B <sub>10</sub> = 75 000 hod. @ 65°C |

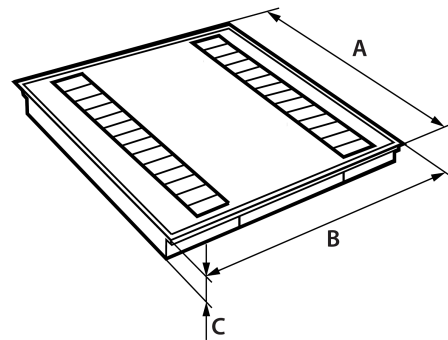
## MECHANICAL FEATURES

|                       |                    |
|-----------------------|--------------------|
| Dimensions            | 1195 x 295 x 65 mm |
| Weight                | 4.5 kg             |
| Operating temperature | - 25 ~ + 25 °C     |
| Protection class      | IP 40              |
| Body material         | lakovaný Fe plech  |
| Reflector material    | Al                 |
| Diffuser material     | PMMA               |
| Mounting method       | recessed           |

## POLAR DIAGRAM



## DIMENSIONS



## ON REQUEST

CCT 2700K, 3500K, 5700K, 6500K  
 CRI > 90Ra  
 Customized power  
 Customized cable  
 Connectors Gesis GST, RST  
 Kit for plasterboard  
 Customized RAL color  
 Emergency source 1 hr/3 hrs

Tolerance of data ± 7.5%

Rights to make printing errors, changes in design and lighting specifications are reserved.

VM elektro s.r.o.  
 č.p. 241  
 763 01 Machová

**vm** elektro®

tel: +420 577 102 293-4  
 tel: +420 573 034 581-2  
 e-mail: info@vmelektro.cz