

VT2



Ordering code:: VML 360 VT2



ELECTRICAL FEATURES

| | |
|---------------------------|------------------------------------|
| Wattage | 60 W |
| Supply voltage | 198 - 264 VAC / 190 - 280 VDC |
| Power factor | 0.98 |
| Total harmonic distortion | <15 |
| IEC Protection Class | I |
| Energy class | A+ |
| Dimming | - |
| Qty. per MCB C 16A | 30 pcs |
| LED driver lifespan | 100 000 hod. @ t _c =65° |

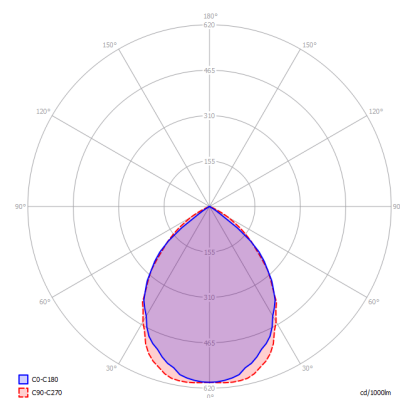
OPTICAL FEATURES

| | |
|---|--|
| Lamp luminous flux | 6700 lm |
| Luminous efficiency | 112 lm/W |
| Color temperature | 3K / 4K / 5K |
| Color rendering index | 80+ |
| Chromaticity tolerance | 3 step MacAdam |
| Viewing angle | - |
| Unified glare rating | - |
| Luminance @65° < 3000 cd/m ² | yes |
| LED lifespan | L ₈₀ / B ₁₀ = 75 000 hod. @ 65°C |

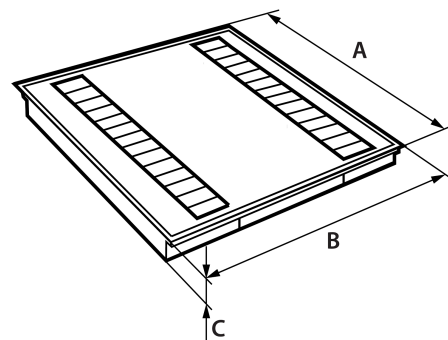
MECHANICAL FEATURES

| | |
|-----------------------|--------------------|
| Dimensions | 1195 x 295 x 65 mm |
| Weight | 4.5 kg |
| Operating temperature | - 25 ~ + 25 °C |
| Protection class | IP 40 |
| Body material | lakovaný Fe plech |
| Reflector material | Al |
| Diffuser material | PMMA |
| Mounting method | recessed |

POLAR DIAGRAM



DIMENSIONS



ON REQUEST

- CCT 2700K, 3500K, 5700K, 6500K
- CRI > 90Ra
- Customized power
- Customized cable
- Connectors Gesis GST, RST
- Kit for plasterboard
- Customized RAL color
- Emergency source 1 hr/3 hrs

Tolerance of data ± 7.5%

Rights to make printing errors, changes in design and lighting specifications are reserved.

VM elektro s.r.o.
č.p. 241
763 01 Machová

vm elektro®

tel: +420 577 102 293-4
tel: +420 573 034 581-2
e-mail: info@vmelektro.cz