

V1L

Luminaire for mounting into all types of ceilings M600 and M625 and for mounting into plasterboards. Luminaires for module M625 and luminaires for plasterboard need to be specified in order. Luminaire is equipped with electronics and diodes from renowned manufacturers.



Ordering code:: VML 120 V1L O



ELECTRICAL FEATURES

Wattage	20 W
Supply voltage	198 - 264 VAC / 190 - 280 VDC
Power factor	0.98
Total harmonic distortion	<10
IEC Protection Class	I
Energy class	A+
Dimming	-
Qty. per MCB C 16A	57 pcs
LED driver lifespan	100 000 hod. @ t _c =65°

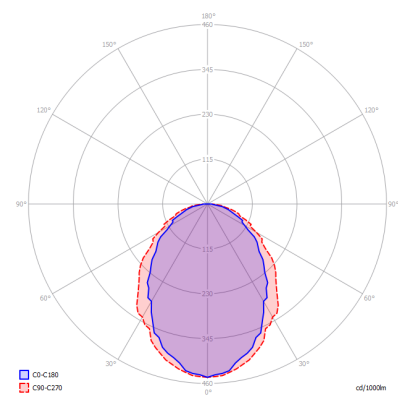
OPTICAL FEATURES

Lamp luminous flux	1980 lm
Luminous efficiency	99 lm/W
Color temperature	3K / 4K / 5K
Color rendering index	80+
Chromaticity tolerance	3 step MacAdam
Viewing angle	-
Unified glare rating	24.3/25.8
Luminance @65° < 3000 cd/m ²	-
LED lifespan	L ₈₀ / B ₁₀ = 75 000 hod. @ 65°C

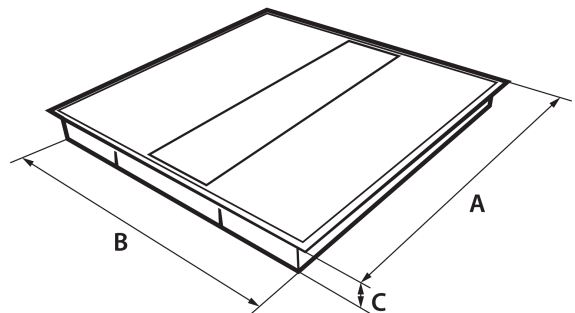
MECHANICAL FEATURES

Dimensions	595 x 595 x 65 mm
Weight	3 kg
Operating temperature	- 25 ~ + 25 °C
Protection class	IP 40
Body material	lakovaný Fe plech
Reflector material	Al
Diffuser material	PMMA
Mounting method	recessed

POLAR DIAGRAM

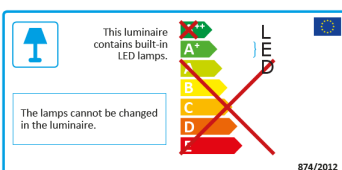


DIMENSIONS



ON REQUEST

- CCT 2700K, 3500K, 5700K, 6500K
- CRI > 90Ra
- Customized power
- Customized cable
- Connectors Gesis GST, RST
- Kit for plasterboard
- Customized RAL color
- Emergency source 1 hr/3 hrs



Tolerance of data ± 7.5%

Rights to make printing errors, changes in design and lighting specifications are reserved.

VM elektro s.r.o.
č.p. 241
763 01 Machová

vm elektro®

tel: +420 577 102 293-4
tel: +420 573 034 581-2
e-mail: info@vmelektro.cz