

V1L

Luminaire for mounting into all types of ceilings M600 and M625 and for mounting into plasterboards. Luminaires for module M625 and luminaires for plasterboard need to be specified in order. Luminaire is equipped with electronics and diodes from renowned manufacturers.



Ordering code:: VML 125 V1L MM DALI



ELECTRICAL FEATURES

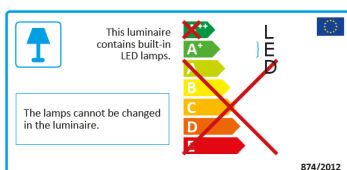
Wattage	25 W
Supply voltage	198 - 264 VAC / 190 - 280 VDC
Power factor	0.98
Total harmonic distortion	<10
IEC Protection Class	I
Energy class	A+
Dimming	DALI
Qty. per MCB C 16A	53 pcs
LED driver lifespan	100 000 hod. @ t _c =65°

OPTICAL FEATURES

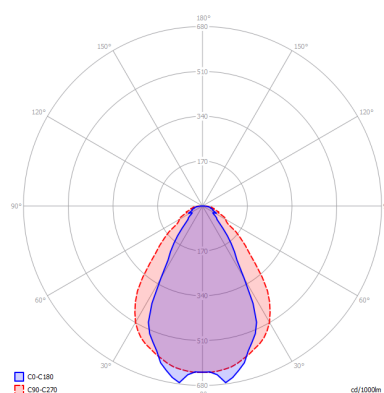
Lamp luminous flux	2700 lm
Luminous efficiency	108 lm/W
Color temperature	3K / 4K / 5K
Color rendering index	80+
Chromaticity tolerance	3 step MacAdam
Viewing angle	-
Unified glare rating	22.3/24.9
Luminance @65° < 3000 cd/m ²	-
LED lifespan	L ₈₀ / B ₁₀ = 75 000 hod. @ 65°C

MECHANICAL FEATURES

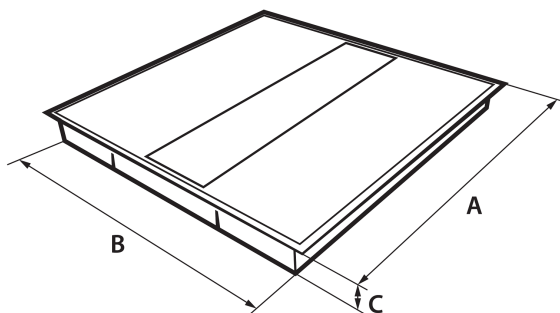
Dimensions	595 x 595 x 65 mm
Weight	3 kg
Operating temperature	- 25 ~ + 25 °C
Protection class	IP 40
Body material	lakovaný Fe plech
Reflector material	Al
Diffuser material	PMMA
Mounting method	recessed



POLAR DIAGRAM



DIMENSIONS



ON REQUEST

CCT 2700K, 3500K, 5700K, 6500K
 CRI > 90Ra
 Customized power
 Customized cable
 Connectors Gesis GST, RST
 Kit for plasterboard
 Customized RAL color
 Emergency source 1 hr/3 hrs

Tolerance of data ± 7.5%

Rights to make printing errors, changes in design and lighting specifications are reserved.

VM elektro s.r.o.
 č.p. 241
 763 01 Machová

vm elektro®

tel: +420 577 102 293-4
 tel: +420 573 034 581-2
 e-mail: info@vmelektro.cz