

P2L

Surface mounted luminaires are designed for mounting on fixed ceiling, can be used as suspended. Luminaire is equipped with electronics and diodes from renowned manufacturers.



Ordering code:: VML 130 P2L O DALI



ELECTRICAL FEATURES

| | |
|---------------------------|-------------------------------|
| Wattage | 30 W |
| Supply voltage | 198 - 264 VAC / 190 - 280 VDC |
| Power factor | 0.98 |
| Total harmonic distortion | <15 |
| IEC Protection Class | I |
| Energy class | A+ |
| Dimming | DALI |
| Qty. per MCB C 16A | 53 pcs |
| LED driver lifespan | 90 000 hod. @ $t_c=45^\circ$ |

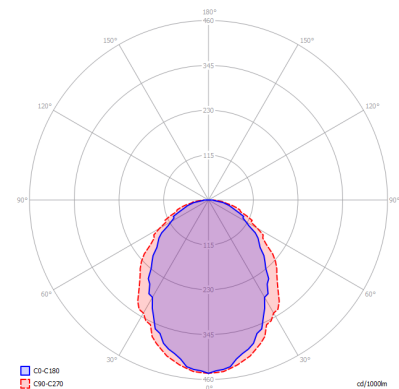
OPTICAL FEATURES

| | |
|---|-----------------------|
| Lamp luminous flux | 3140 lm |
| Luminous efficiency | 105 lm/W |
| Color temperature | 3K / 4K / 5K |
| Color rendering index | 80+ |
| Chromaticity tolerance | 3 step MacAdam |
| Viewing angle | - |
| Unified glare rating | 23.5/25.0 |
| Luminance @65° < 3000 cd/m ² | - |
| LED lifespan | L80B20 = 110 000 hod. |

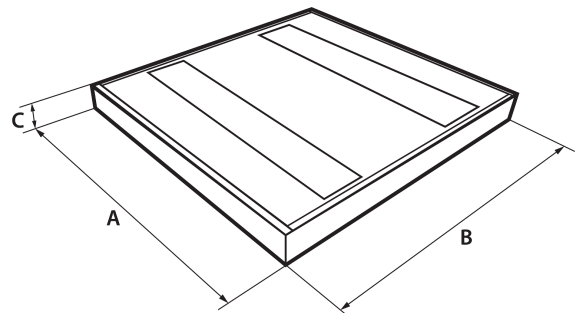
MECHANICAL FEATURES

| | |
|-----------------------|------------------------|
| Dimensions | 600 x 620 x 55 mm |
| Weight | 5 kg |
| Operating temperature | - 25 ~ + 25 °C |
| Protection class | IP 40 |
| Body material | lakovaný Fe plech |
| Reflector material | Al |
| Diffuser material | PMMA |
| Mounting method | přisazená nebo závěsná |

POLAR DIAGRAM

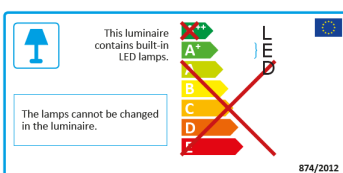


DIMENSIONS



ON REQUEST

- CCT 2700K, 3500K, 5700K, 6500K
- CRI > 90Ra
- Customized power
- Customized cable
- Connectors Gesis GST, RST
- Suspension rope kit
- Customized RAL color
- Emergency source 1 hr/3 hrs



Tolerance of data $\pm 7.5\%$

Rights to make printing errors, changes in design and lighting specifications are reserved.

VM elektro s.r.o.
č.p. 241
763 01 Machová

vm elektro®

tel: +420 577 102 293-4
tel: +420 573 034 581-2
e-mail: info@vmelektro.cz