

P2L

Surface mounted luminaires are designed for mounting on fixed ceiling, can be used as suspended. Luminaire is equipped with electronics and diodes from renowned manufacturers.



Ordering code:: VML 150 P2L O DALI



ELECTRICAL FEATURES

Wattage	50 W
Supply voltage	198 - 264 VAC / 190 - 280 VDC
Power factor	0.98
Total harmonic distortion	<15
IEC Protection Class	I
Energy class	A+
Dimming	DALI
Qty. per MCB C 16A	53 pcs
LED driver lifespan	90 000 hod. @ $t_c=45^\circ$

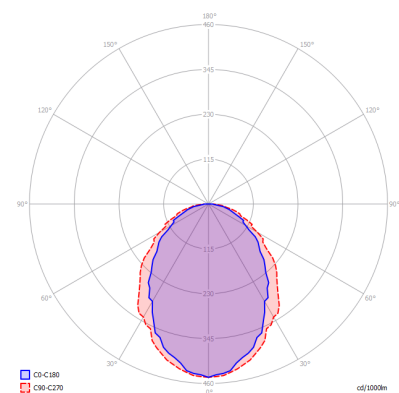
OPTICAL FEATURES

Lamp luminous flux	4910 lm
Luminous efficiency	98 lm/W
Color temperature	3K / 4K / 5K
Color rendering index	80+
Chromaticity tolerance	3 step MacAdam
Viewing angle	-
Unified glare rating	25.1/26.6
Luminance @65° < 3000 cd/m ²	-
LED lifespan	L80B20 = 110 000 hod.

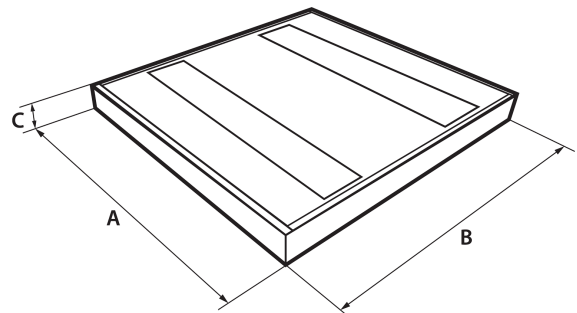
MECHANICAL FEATURES

Dimensions	600 x 620 x 55 mm
Weight	5 kg
Operating temperature	- 25 ~ + 25 °C
Protection class	IP 40
Body material	lakovaný Fe plech
Reflector material	Al
Diffuser material	PMMA
Mounting method	přisazená nebo závěsná

POLAR DIAGRAM

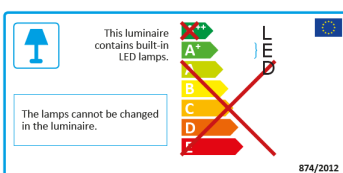


DIMENSIONS



ON REQUEST

- CCT 2700K, 3500K, 5700K, 6500K
- CRI > 90Ra
- Customized power
- Customized cable
- Connectors Gesis GST, RST
- Suspension rope kit
- Customized RAL color
- Emergency source 1 hr/3 hrs



Tolerance of data ± 7.5%

Rights to make printing errors, changes in design and lighting specifications are reserved.