

MO



Ordering code:: VML 470 MO



ELECTRICAL FEATURES

Wattage	75 W
Supply voltage	198 - 264 VAC / 190 - 280 VDC
Power factor	0.98
Total harmonic distortion	<10
IEC Protection Class	I
Energy class	A+
Dimming	-
Qty. per MCB C 16A	30 pcs
LED driver lifespan	90 000 hod. @ $t_c=45^\circ$

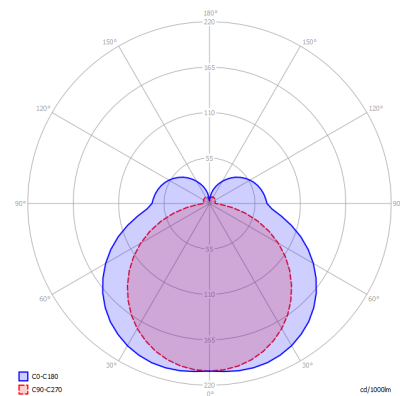
OPTICAL FEATURES

Lamp luminous flux	8091 lm
Luminous efficiency	lm/W
Color temperature	3K / 4K / 5K
Color rendering index	80+
Chromaticity tolerance	3 step MacAdam
Viewing angle	-
Unified glare rating	23.8/22.1
Luminance @65° < 3000 cd/m ²	-
LED lifespan	L80B20 = 110 000 hod.

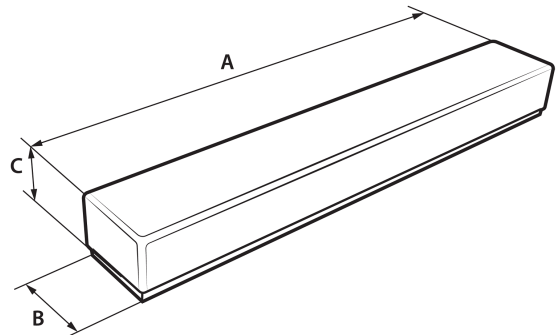
MECHANICAL FEATURES

Dimensions	1560 x 105 x 87 mm
Weight	2.7 kg
Operating temperature	- 25 ~ + 25 °C
Protection class	IP 40
Body material	lakovaný Fe plech
Reflector material	-
Diffuser material	PMMA
Mounting method	surface

POLAR DIAGRAM

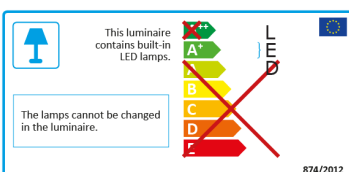


DIMENSIONS



ON REQUEST

- CCT 2700K, 3500K, 5700K, 6500K
- CRI > 90Ra
- Customized power
- Customized cable
- Suspension rope kit
- Emergency source 1 hr/3 hrs



Tolerance of data \pm 7.5%

Rights to make printing errors, changes in design and lighting specifications are reserved.

VM elektro s.r.o.
č.p. 241
763 01 Machová

vm elektro®

tel: +420 577 102 293-4
tel: +420 573 034 581-2
e-mail: info@vmelektro.cz