



Ordering code:: VML 40 ZN C



ELECTRICAL FEATURES

Wattage	40 W
Supply voltage	220 - 240 V AC / 176 - 280 V DC
Power factor	0,95
Total harmonic distortion	<15
IEC Protection Class	I
Energy class	A+
Dimming	-
Qty. per MCB C 16A	pcs
LED driver lifespan	100 000 hod. @ $t_c=65^\circ$

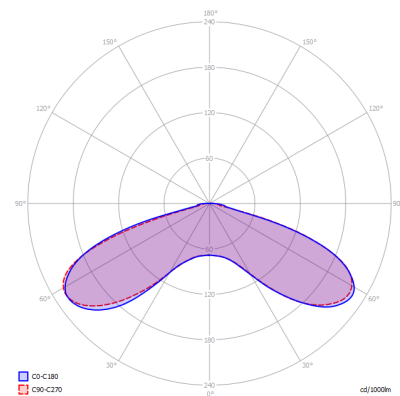
OPTICAL FEATURES

Lamp luminous flux	4708 lm
Luminous efficiency	lm/W
Color temperature	2K2 / 2K7 / 3K / 4K
Color rendering index	80+
Chromaticity tolerance	3 step MacAdam
Viewing angle	130°x130°
Unified glare rating	0.0
Luminance @65° < 3000 cd/m ²	-
LED lifespan	L80B20 = 80 000 hod.

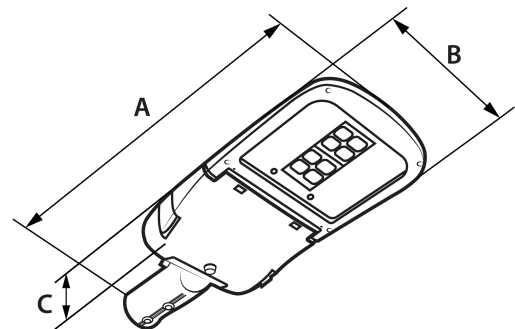
MECHANICAL FEATURES

Dimensions	572 x 245 x 100 mm
Weight	4.2 kg
Operating temperature	- 25 ~ + 30 °C
Protection class	IP 65
Body material	Al odlitek
Reflector material	-
Diffuser material	sklo
Mounting method	shoebox

POLAR DIAGRAM

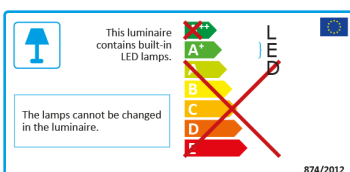


DIMENSIONS



ON REQUEST

- CCT 2700K, 3500K, 5700K, 6500K
- CRI > 90Ra
- Customized power
- Customized RAL color



Tolerance of data $\pm 7.5\%$

Rights to make printing errors, changes in design and lighting specifications are reserved.